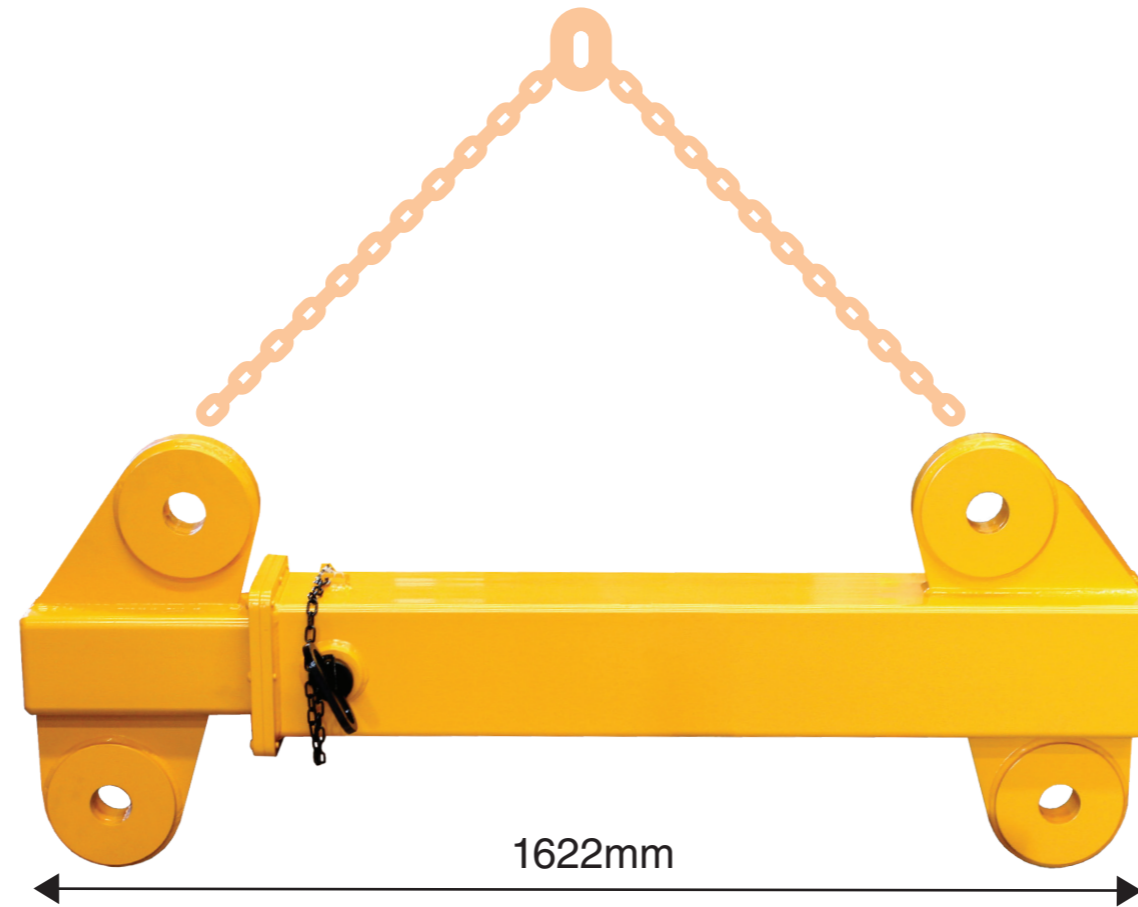
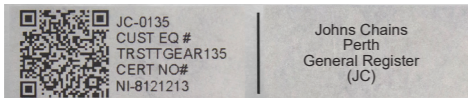


50T EXTENDABLE SPREADER BEAM



- With telescopic arm and pin to lock in place
- Versatile and simple to use
- NATA tested and certified
- Powder coated safety finish
- QR coded – Scan for certificate
- Chains and shackles available to suit
- Clearly marked with W.L.L.
- I.D. tag that includes customer details
- Complies to AS4991

LUG CENTRES	W.L.L
1400	50T
1600	50T
1800	50T
2000	50T



We can design & manufacture beams to suit your application requirements



Made in Western Australia

Tare weight: 224KG