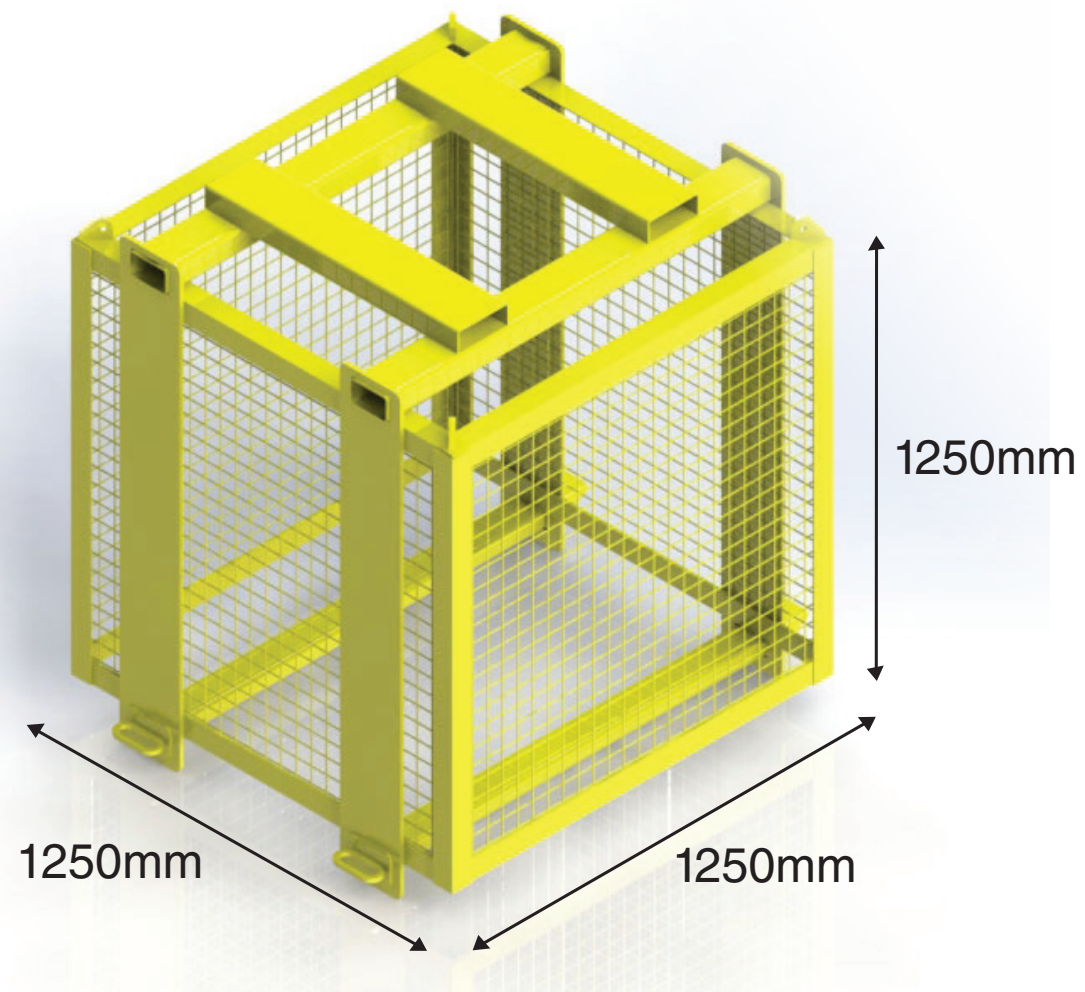
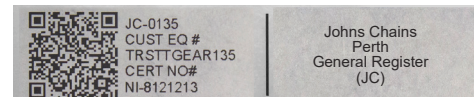


2T PALLET LIFTING CAGE

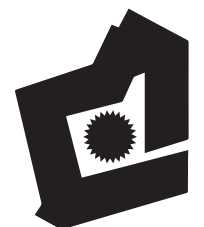


- Versatile and simple to use
- NATA tested and certified
- QR coded – Scan for certificate
- Powder coated finish
- Clearly marked with W.L.L.
- I.D. tag that includes customer details
- Complies to AS4991



We can design & manufacture lifting cages to suit your application requirements

Tare weight: 290KG
Part N°: FABPALCAGE02



Made in Western Australia