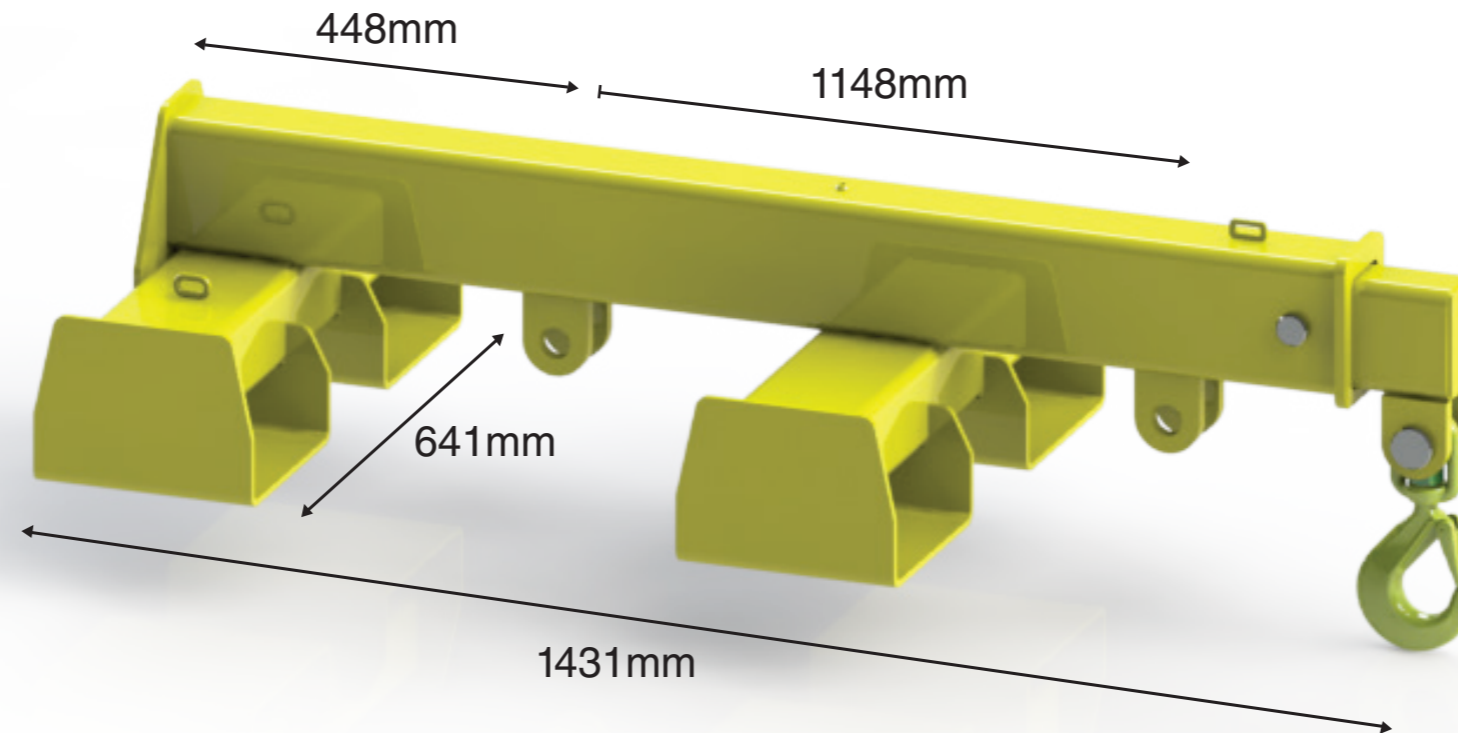
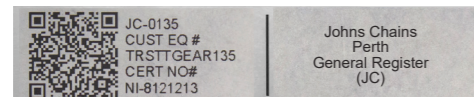


# 4.5T WLL FORKLIFT JIB ASSEMBLY



- Versatile and simple to use
- NATA tested and certified
- Powder coated finish
- Chains and shackles available to suit
- QR coded – Scan for certificate
- Clearly marked with W.L.L. @ sling angle
- I.D. tag that includes customer details
- Complies to AS2359.1
- Made in WA



POSITION	EXTENSION	WLL
1	448mm	4500KG
2	1148mm	4500KG
3	1431mm	3000KG
4	1796mm	1250KG
5	2161mm	700KG

**We can design & manufacture forklift jibs to suit your application requirements**



Made in Western Australia

Tare: 120KG  
Part N°: FABJIB045STRT